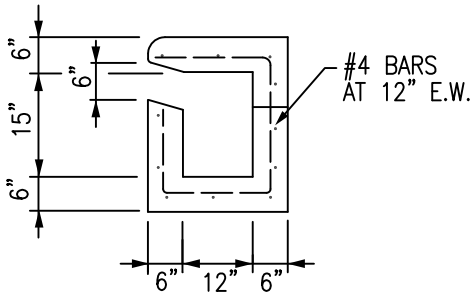
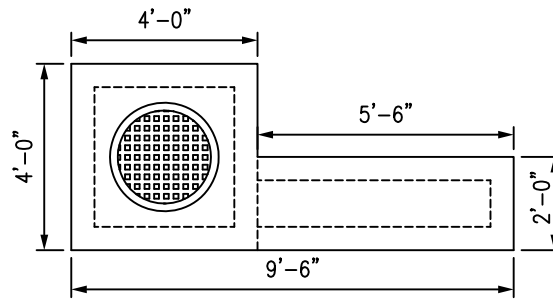


**4000 PSI CONCRETE
GRADE 60 REINFORCING
HS 20 LOADING**

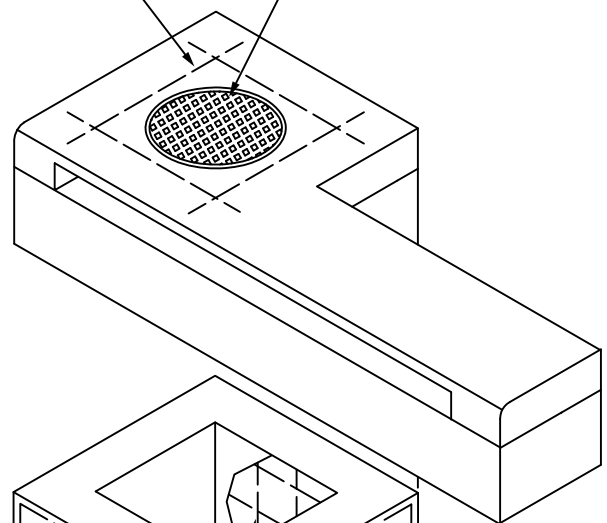


WING SECTION



PLAN VIEW

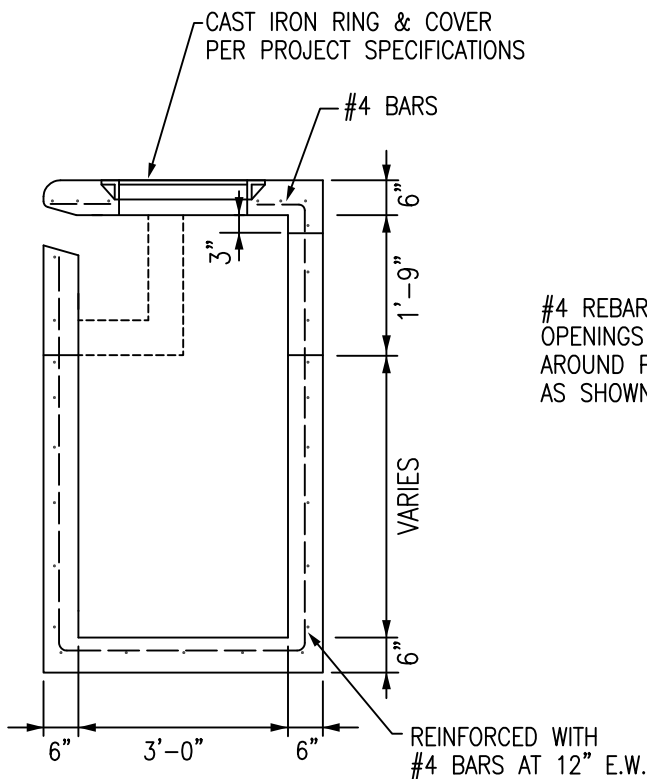
ADDITIONAL #4 REBAR AT OPENINGS
CAST IRON RING & COVER PER PROJECT SPECIFICATIONS



#4 REBAR AT OPENINGS AND AROUND PERIMETER AS SHOWN (TYP)

REINFORCED WITH #4 BARS AT 12" E.W.

ISOMETRIC



INLET SECTION



9235 Main Street #1
P.O. Box 507
Needville, Texas, 77461
1-888-331-5871

**PRECAST TYPE 'C-1' INLET
36" x 36" I.D.**

"Providing Concrete Environmental Solutions"

Date: 23 AUG 2013

File: NCC1INLET

Scale: 1/4" = 1'-0"

* All Dimensions subject to allowable specification tolerances.

Approved By: _____

Date: _____