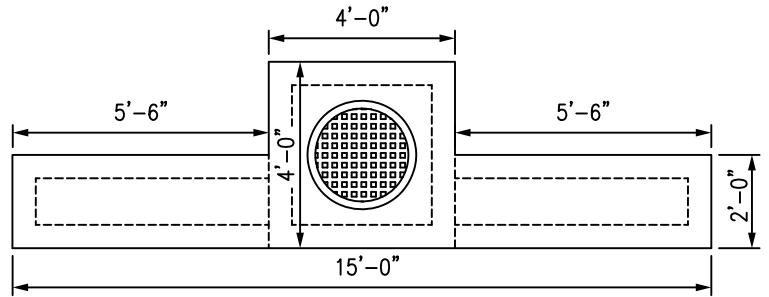
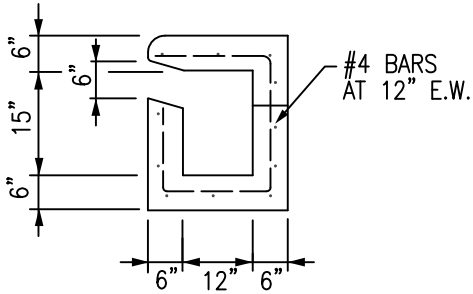


4000 PSI CONCRETE GRADE 60 REINFORCING HS 20 LOADING

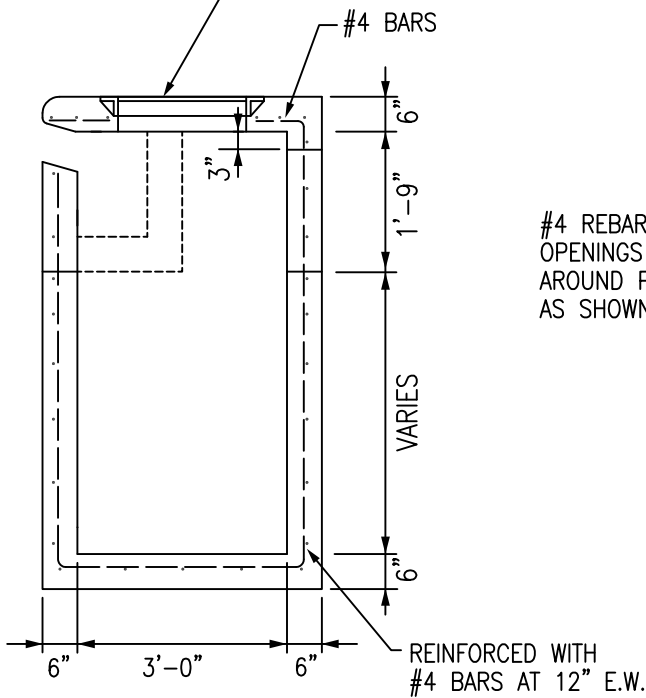


PLAN VIEW

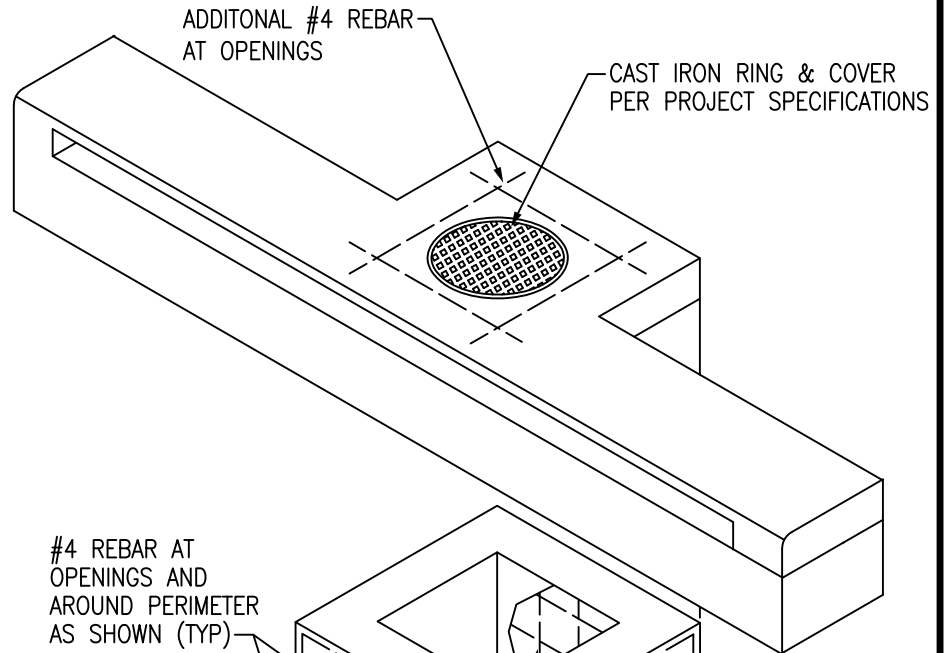


WING SECTION

CAST IRON RING & COVER
PER PROJECT SPECIFICATIONS



INLET SECTION



#4 REBAR AT
OPENINGS AND
AROUND PERIMETER
AS SHOWN (TYP)

REINFORCED WITH
#4 BARS AT 12" E.W.

ISOMETRIC



9235 Main Street #1
P.O. Box 507
Needville, Texas, 77461
1-888-331-5871

PRECAST TYPE 'C-2' INLET
36" x 36" I.D.

"Providing Concrete Environmental Solutions"

Date: 31 AUG 2013

File: NCC2INLET

Scale: 1/4" = 1'-0"

* All Dimensions subject to allowable specification tolerances.

Approved By: _____

Date: _____