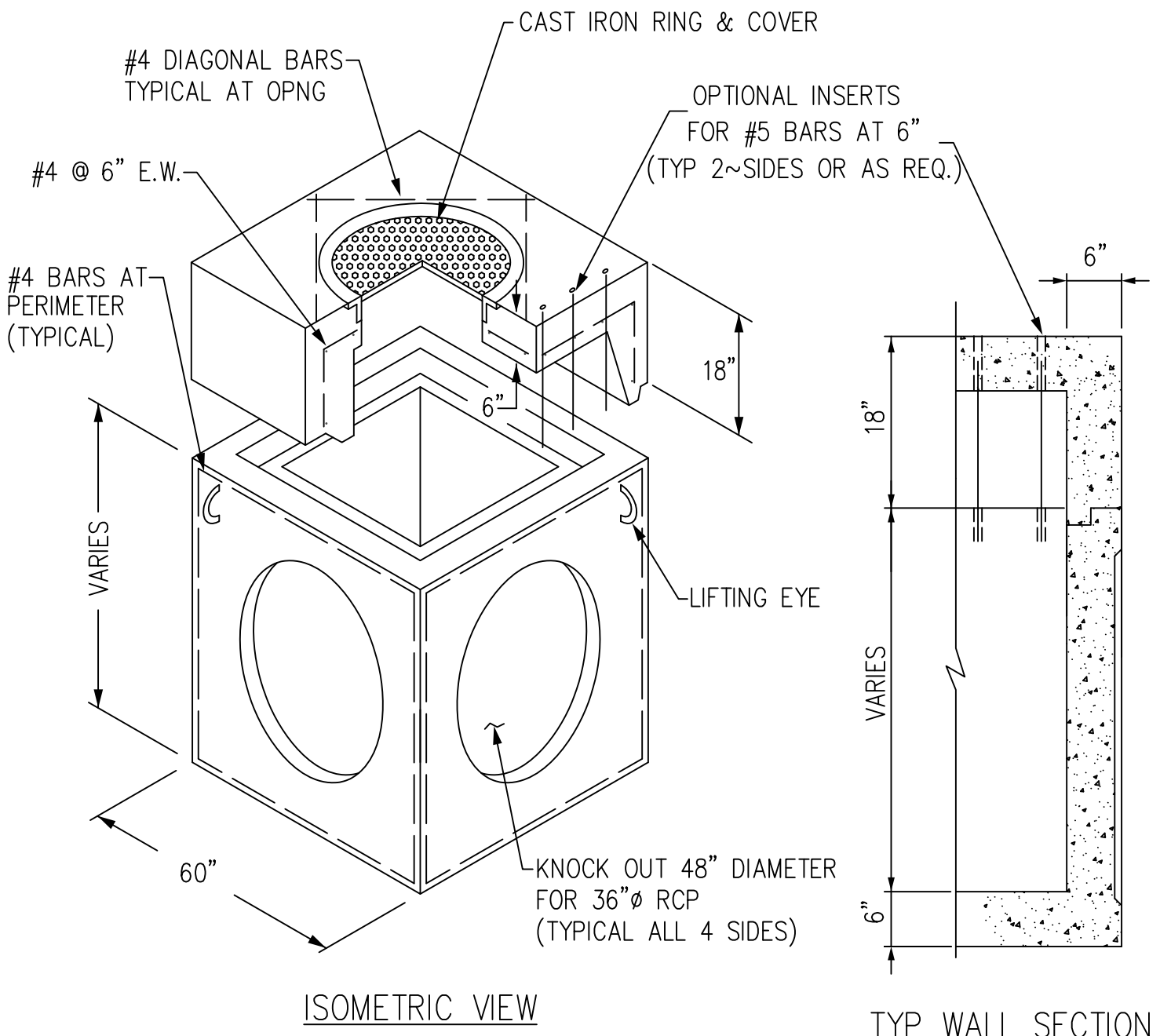


4000 PSI CONCRETE
 GRADE 60 REINFORCING
 HS-20 LOADING



6" WALLS & BASE
 REINFORCING #4 @ 12" E.W.



9235 Main Street #1
 P.O. Box 507
 Needville, Texas, 77461
 1-888-331-5871

PRECAST TYPE 'E' INLET
 48" x 48" I.D.

"Providing Concrete Environmental Solutions"

Date: 27 APR 2013

File: NC48EINLET

Scale: 1"=1'-0"
* All Dimensions subject to allowable specification tolerances.

Approved By: _____

Date: _____