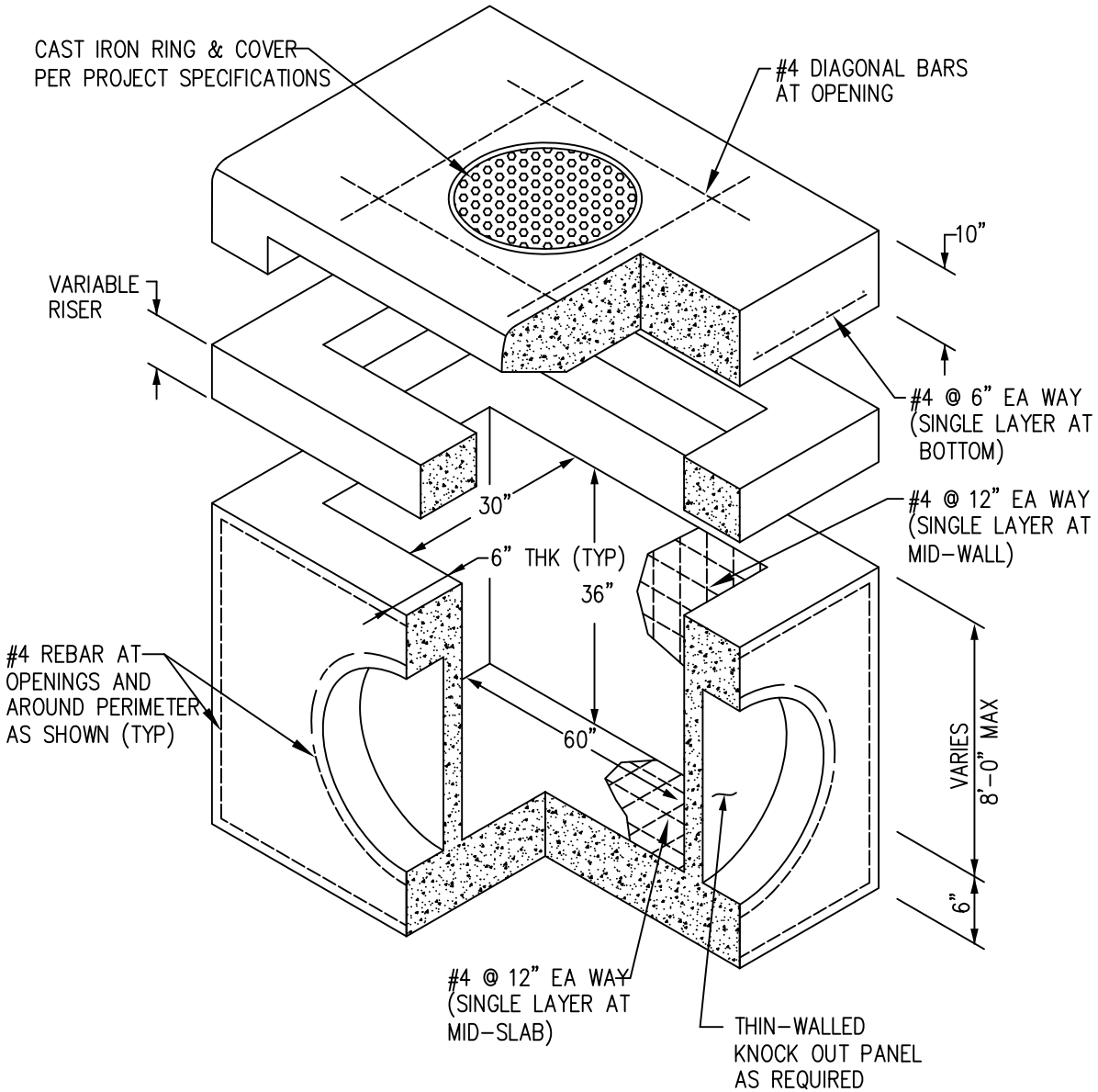


4000 PSI CONCRETE
 GRADE 60 REINFORCING
 HS 20 LOADING

MAXIMUM DEPTH OF BURY= 10 FT



ELEVATION VIEW



9235 Main Street #1
 P.O. Box 507
 Needville, Texas, 77461
 1-888-331-5871

TYPE 'H-2' CURB INLET
 30" X 60" X VARIABLE

"Providing Concrete Environmental Solutions"

Date: 31 AUG 2011 File: NCH2INLET_8

Scale: 1"=1'-0"
* All Dimensions subject to allowable specification tolerances.

Approved By: _____ Date: _____