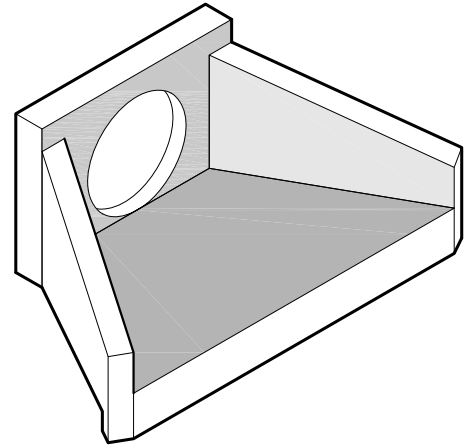
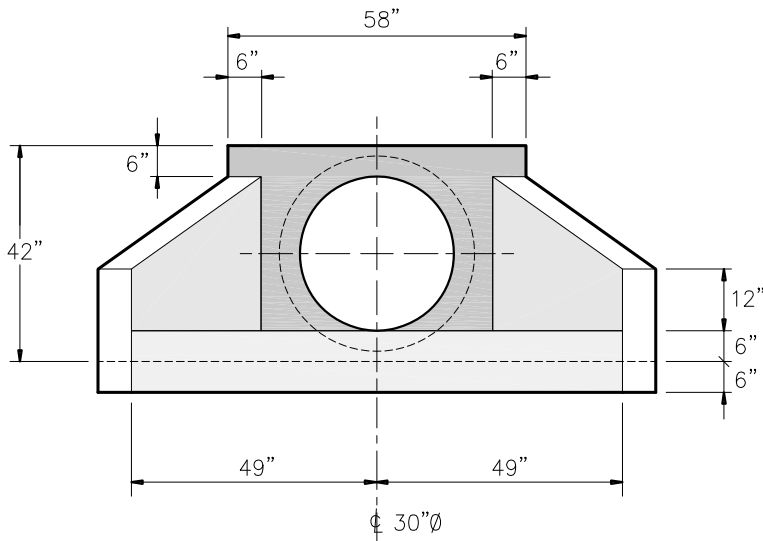


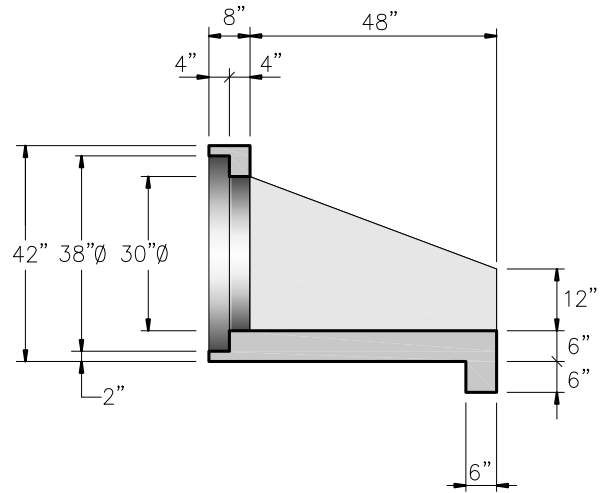
PLAN VIEW
APROX WEIGHT - 6,400 LBS



NC HEADWALL
ISOMETRIC VIEW



ELEVATION



SECTION A-A

GENERAL NOTES:

- 4500 PSI CONCRETE AT 28 DAYS
- ASTM A615, GRADE 60 REINFORCING
- HS 20 LOADING

REINFORCEMENT:

#4 BARS @ 9" O.C. E.W.
OR EQUIV. W.W.M.



"Providing Concrete Environmental Solutions"

9235 Main Street #1
P.O. Box 507
Needville, Texas, 77461
1-888-331-5871

30" NC HEADWALL

NC-006-066

Scale: 1/4"=1'-0"
* All Dimensions subject to allowable specification tolerances.

Date: 03/12/19

Rev Date:

Approved By: _____ Date: _____