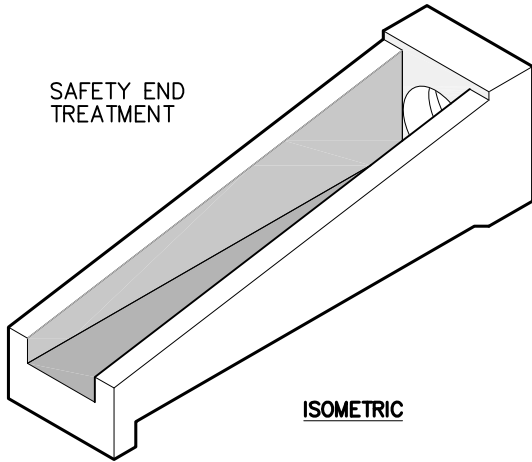
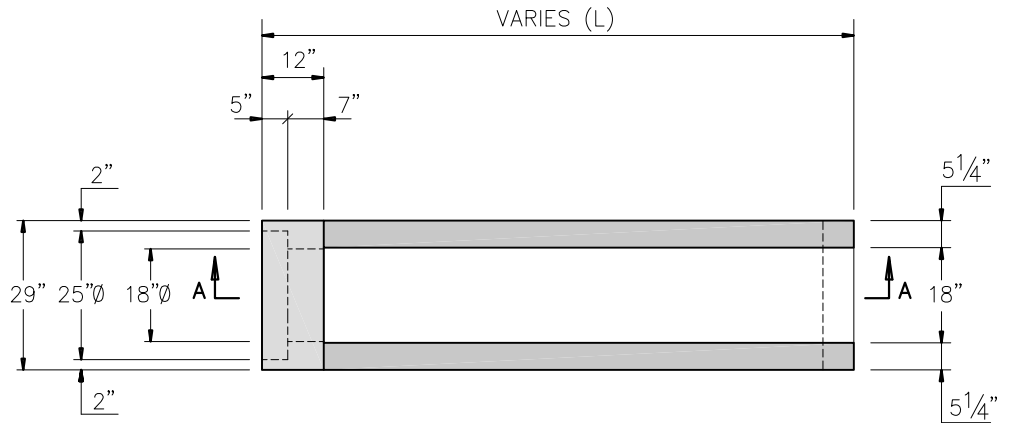


SAFETY END TREATMENT

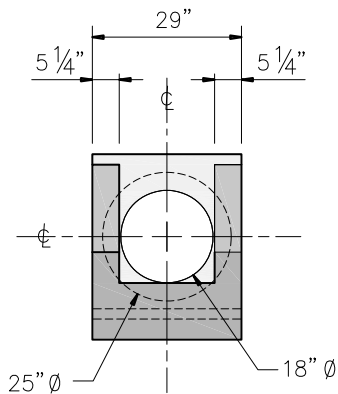


ISOMETRIC

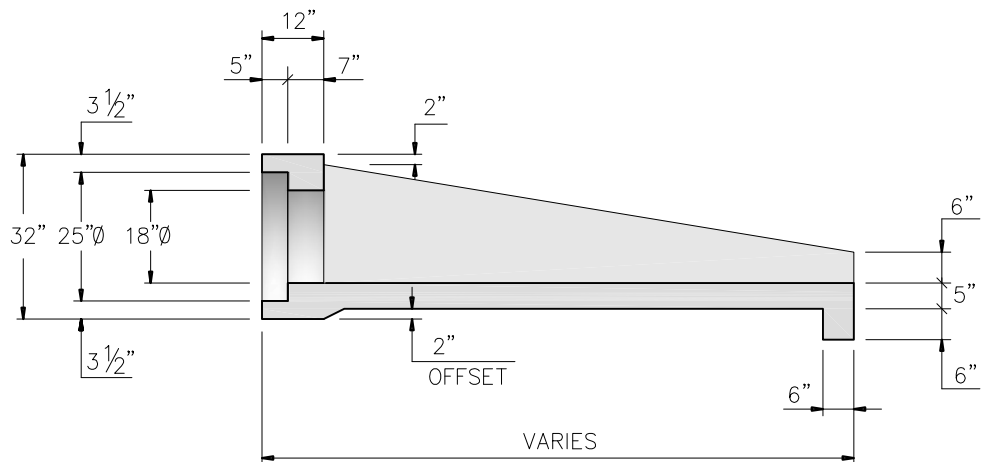
Pipe I.D.	Slope (S)	Length (L)	Weight (Lbs)
18"	3:1	4'-10"	1950
	4:1	6'-9"	2700
	6:1	9'-7"	3120



PLAN VIEW



ELEVATION



SECTION A-A

GENERAL NOTES:

- 4500 PSI CONCRETE AT 28 DAYS
- ATSM A615, GRADE 60 REINFORCING

REINFORCEMENT:

#4 BARS @ 9" O.C. E.W.
OR EQUIV. W.W.M.



"Providing Concrete Environmental Solutions"

9235 Main Street #1
P.O. Box 507
Needville, Texas, 77461
1-888-331-5871

18" RCP PRECAST
SAFETY END TREATMENT

NC-006-013

Scale: 1/4"=1'-0"
* All Dimensions subject to allowable specification tolerances.

Date: 09/20/18

Rev Date: 11/16/18

Approved By: _____ Date: _____