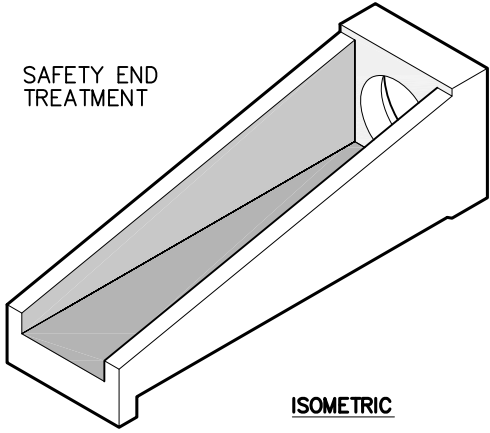
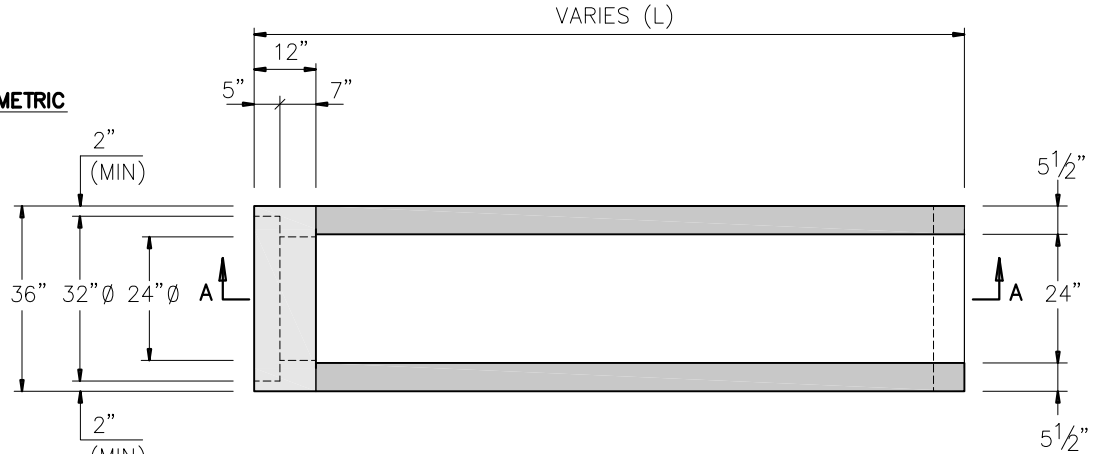


SAFETY END TREATMENT

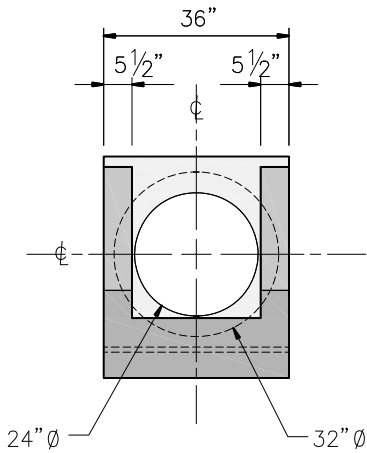


Pipe I.D.	Slope (S)	Length (L)	Weight (Lbs)
24"	3:1	6'-3"	3900
	4:1	8'-4"	4800
	6:1	12'-6"	5600

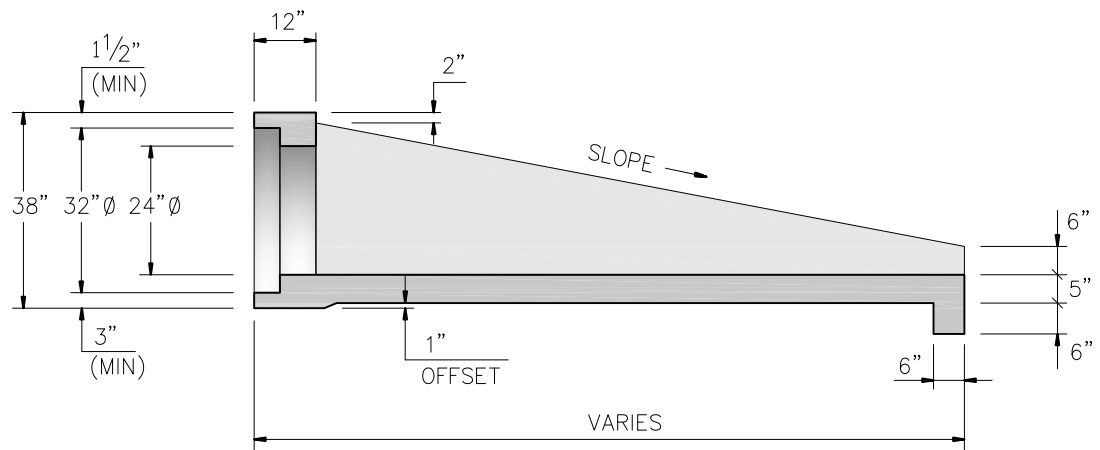
ISOMETRIC



PLAN VIEW



ELEVATION



SECTION A-A

GENERAL NOTES:

- 4500 PSI CONCRETE AT 28 DAYS
- ATSM A615, GRADE 60 REINFORCING
- HS 20 LOADING

REINFORCEMENT:

#4 BARS @ 9" O.C. E.W.
OR EQUIV. W.W.M.



"Providing Concrete Environmental Solutions"

9235 Main Street #1
P.O. Box 507
Needville, Texas, 77461
1-888-331-5871

24" RCP PRECAST
SAFETY END TREATMENT

NC-006-017

Scale: 1/4"=1'-0"
* All Dimensions subject to allowable specification tolerances.

Date: 09/20/18

Rev Date: 11/16/18

Approved By: _____ Date: _____